



**BUILDING CODE COMPLIANCE OFFICE (BCCO)  
PRODUCT CONTROL DIVISION**

**MIAMI-DADE COUNTY, FLORIDA  
METRO-DADE FLAGLER BUILDING  
140 WEST FLAGLER STREET, SUITE 1603  
MIAMI, FLORIDA 33130-1563  
(305) 375-2901 FAX (305) 375-2908**

**NOTICE OF ACCEPTANCE (NOA)**

**SMI System by Pande Pande, LLC  
11305 N.W. 128 Street  
Medley, FL 33178**

**SCOPE:**

This NOA is being issued under the applicable rules and regulations governing the use of construction materials. The documentation submitted has been reviewed by Miami-Dade County Product Control Division and accepted by the Board of Rules and Appeals (BORA) to be used in Miami Dade County and other areas where allowed by the Authority Having Jurisdiction (AHJ).

This NOA shall not be valid after the expiration date stated below. The Miami-Dade County Product Control Division (In Miami Dade County) and/or the AHJ (in areas other than Miami Dade County) reserve the right to have this product or material tested for quality assurance purposes. If this product or material fails to perform in the accepted manner, the manufacturer will incur the expense of such testing and the AHJ may immediately revoke, modify, or suspend the use of such product or material within their jurisdiction. BORA reserves the right to revoke this acceptance, if it is determined by Miami-Dade County Product Control Division that this product or material fails to meet the requirements of the applicable building code.

This product is approved as described herein, and has been designed to comply with the Florida Building Code, including the High Velocity Hurricane Zone.

**DESCRIPTION: Series MK-2 Aluminum Entrance Door w/wo Transom-L.M.I**

**APPROVAL DOCUMENT:** Drawing No. **W03-58**, titled "Series MK-2 Alum Entrance Door (L.M.I)", sheets 1 through 9 of 9, prepared by the AL-Farooq Corporation, dated 07/30/03 and last revised by revision "D" on Dec09, 2008, signed and sealed by Dr. Humayoun Farooq, P.E., bearing the Miami-Dade County Product Control Renewal stamp with the Notice of Acceptance number and expiration date by the Miami-Dade County Product Control Division.

**MISSILE IMPACT RATING: Large and Small Missile Impact**

1. Lower design pressure to be applied when door or door w/ transom is mullied to storefront system and anchor to be specified per tributary load at the mullion end.
2. Doors are not rated for water infiltration, unless covered by overhang or canopy complying w/ FBC.

**LABELING:** Each unit shall bear a permanent label with the manufacturer's name or logo, city, state and following statement: "Miami-Dade County Product Control Approved", unless otherwise noted herein.

**RENEWAL** of this NOA shall be considered after a renewal application has been filed and there has been no change in the applicable building code negatively affecting the performance of this product.

**TERMINATION** of this NOA will occur after the expiration date or if there has been a revision or change in the materials, use, and/or manufacture of the product or process. Misuse of this NOA as an endorsement of any product, for sales, advertising or any other purposes shall automatically terminate this NOA. Failure to comply with any section of this NOA shall be cause for termination and removal of NOA.

**ADVERTISEMENT:** The NOA number preceded by the words Miami-Dade County, Florida, and followed by the expiration date may be displayed in advertising literature. If any portion of the NOA is displayed, then it shall be done in its entirety.

**INSPECTION:** A copy of this entire NOA shall be provided to the user by the manufacturer or its distributors and shall be available for inspection at the job site at the request of the Building Official.

This NOA **revises & renews NOA # 04-1029.03** and, consists of this page 1 and evidence page E-1, as well as approval document mentioned above.

The submitted documentation was reviewed by **Ishaq I. Chanda, P.E**



**NOA No 08-1202.14  
Expiration Date: December 04, 2013  
Approval Date: January 01, 2009  
Page 1**

8  
12/12/13

**NOTICE OF ACCEPTANCE: EVIDENCE SUBMITTED**

**A. DRAWINGS**

1. Manufacturer's die drawings and sections.
2. Drawing No. **W03-58**, titled "Series MK-2 Alum Entrance Door (L.M.I)", sheets 1 through 9 of 9, prepared by the AL-Farooq Corporation, dated 07/30/03 and last revised by revision "D" on Dec 09, 2008, signed and sealed by Dr. Humayoun Farooq, P.E.

**B. TESTS (Test report transferred from file # 04-1029.03)**

1. Test reports on
  - 1) Air Infiltration Test, per FBC, TAS 202-94
  - 2) Uniform Static Air Pressure Test, Loading per FBC TAS 202-94
  - 3) Water Resistance Test, per FBC, TAS 202-94(Not performed)
  - 4) Large Missile Impact Test per FBC, TAS 201-94
  - 5) Cyclic Wind Pressure Loading per FBC, TAS 203-94
  - 6) Forced Entry Test, Per FBC 2411 3.2.1 and TAS 202-94

along with marked-up drawings and installation diagram of a aluminum outswinging O/XX & XXOO door system, prepared by Fenestration Testing Laboratory, Inc., Test Report No. **FTL-3603**, dated 11/05/02 and **FTL-3997**, dated 12/04/03, signed and sealed by Joseph Chan, P.E. and Edmundo Largaespada , P.E., respectively.

2. Reference test report no. FTL 3833 for Window wall per TAS 201/202 &203.

**C. CALCULATIONS**

1. Anchor calculations, structural and comparative analysis, prepared by AL- Farooq Corporation, dated 12/01/08, signed & sealed by Dr.Humayoun Farooq, P.E.
2. Galzing Complies with ASTM-E1300-02/04

**D. QUALITY ASSURANCE**

1. Miami Dade /Building Code Compliance Office (BCCO).

**E. MATERIAL CERTIFICATIONS**

1. Notice of Acceptance No. **06-0216.06** issued to Solutia, for "Saflex IIIIG clear & color interlayer", expiring on 05/21/2011.
2. Notice of Acceptance No. **03-1223.04** issued to Surface Specialties, Inc. for "Uvekol-Liq Resin" expiring on 02/08/09.

**F. STATEMENTS**

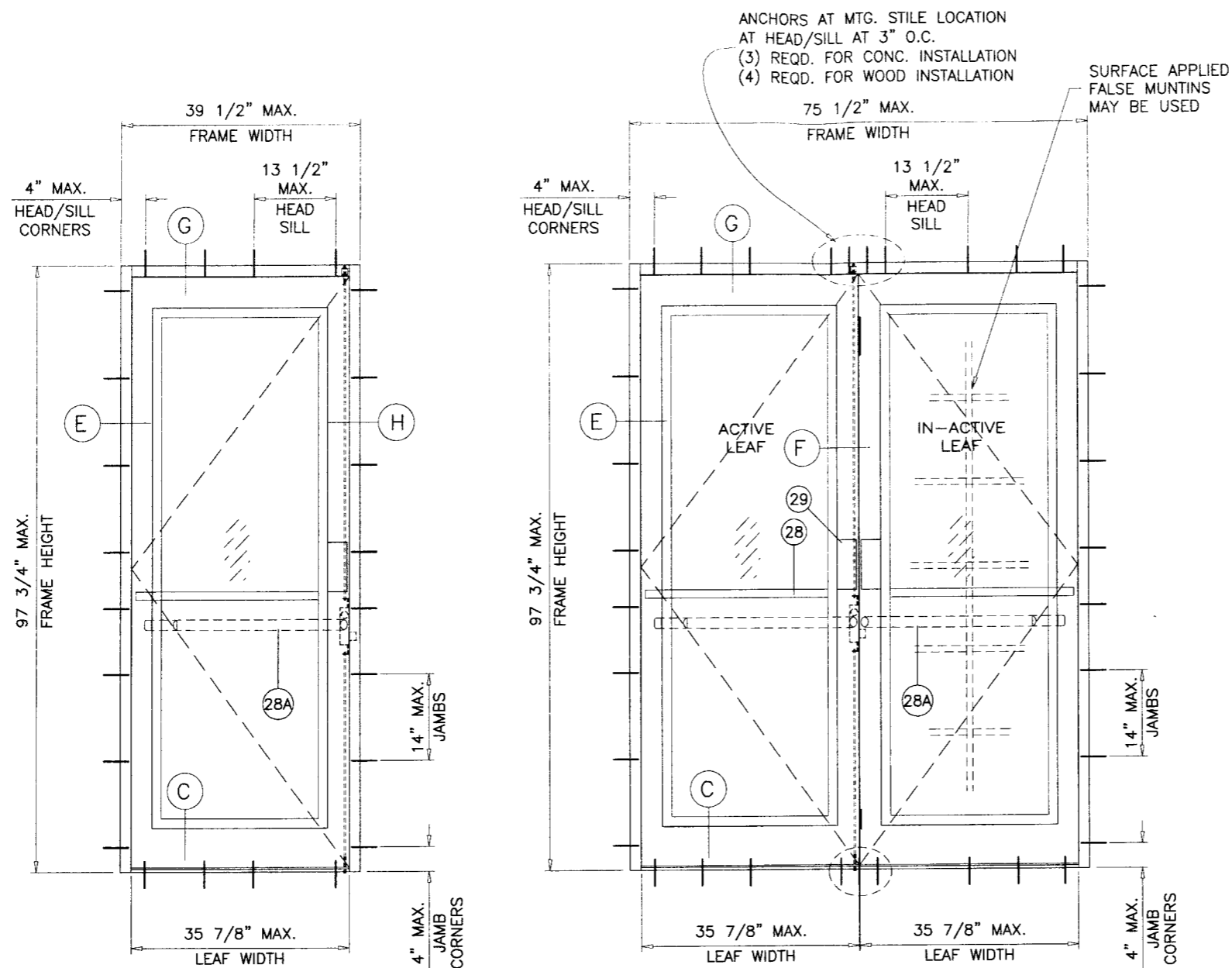
1. Statement letter of code compliance and "No financial interest" , dated November 25, 2008, signed and sealed by Dr.Humayoun Farooq, P.E.
2. Statement letter of lab compliance, as a part of the test reports

**G. OTHER**

1. This NOA **revises & renews NOA # 04-1029.03**, expiring Dec 04, 2013.
2. Previous associated NOA # 03-0925.03

*Ishaq I. Chanda*

**Ishaq I. Chanda, P.E.**  
**Product Control Examiner**  
**NOA No 08-1202.14.03**  
**Expiration Date: December 04, 2013**  
**Approval Date: January 01, 2009**



MAXIMUM DESIGN LOAD RATING = + 90.0 PSF  
 (FOR SIZES SHOWN ABOVE OR SMALLER) - 90.0 PSF

PRODUCT RENEWED  
 as complying with the Florida  
 Building Code  
 Acceptance No. 08-1202.04  
 Expiration Date DEC 04, 2013  
 By Shagl. Khan  
 Miami Dade Product Control  
 Division

THESE DOORS ARE RATED FOR LARGE MISSILE IMPACT.  
 SHUTTERS ARE NOT REQUIRED.

**SERIES MK-2 ALUMINUM ENTRANCE DOOR**

SEE ABOVE FOR DESIGN LOAD CAPACITY OF SINGLE (X) AND DOUBLE (XX) DOORS W/O TRANSOM.

SEE CHARTS ON SHEET 2 FOR DESIGN LOAD CAPACITY OF SINGLE (O/X) AND DOUBLE (O/XX) DOORS WITH TRANSOM.

DOORS CAN ALSO BE USED WITH SM-175 STOREFRONT SYSTEM. FOR DOORS WITH STOREFRONT SYSTEM SEE SEPARATE NOA FOR DOOR MULLION CAPACITY.

THE LOWEST VALUE RESULTING FROM DOOR CAPACITY CHARTS OR STOREFRONT NOA WILL APPLY TO ENTIRE SYSTEM.

DOORS NOT APPROVED FOR INSTALLATIONS WHERE WATER INFILTRATION RESISTANCE IS REQUIRED.

THIS PRODUCT HAS BEEN DESIGNED AND TESTED TO COMPLY WITH THE REQUIREMENTS OF THE FLORIDA BUILDING CODE 2004/2007 EDITION INCLUDING HIGH VELOCITY HURRICANE ZONE (HVHZ).

WOOD BUCKS BY OTHERS, MUST BE ANCHORED PROPERLY TO TRANSFER LOADS TO THE STRUCTURE.

ANCHORS SHALL BE AS LISTED, SPACED AS SHOWN ON DETAILS, ANCHORS EMBEDMENT TO BASE MATERIAL SHALL BE BEYOND WALL DRESSING OR STUCCO.

ANCHORING OR LOADING CONDITIONS NOT SHOWN IN THESE DETAILS ARE NOT PART OF THIS APPROVAL.

A LOAD DURATION INCREASE IS USED IN DESIGN OF ANCHORS INTO WOOD ONLY.

MATERIALS INCLUDING BUT NOT LIMITED TO STEEL/METAL SCREWS, THAT COME INTO CONTACT WITH OTHER DISSIMILAR MATERIALS SHALL MEET THE REQUIREMENTS OF 2004/2007 FLORIDA BLDG. CODE SECTION 2003.8.4.

NOTE:  
 GLASS CAPACITIES ON THIS SHEET ARE BASED ON ASTM E1300-02/04 (3 SEC. GUSTS) AND FLORIDA BUILDING COMMISSION DECLARATORY STATEMENT DCA05-DEC-219

Engr: DR. HUMAYUN FAROOQ  
 STRUCTURES  
 FLA. PE # 16557  
 C.A.N. 3538  
 DEC 09 2008

**af c**  
**AL-FAROOQ CORPORATION**  
 ENGINEERS & PRODUCT DEVELOPMENT  
 1.235 S.W. 87 AVE  
 MIAMI, FLORIDA 33174  
 TEL. (305) 264-8100 FAX. (305) 262-6978  
 COMP - ANL \ W03-585M

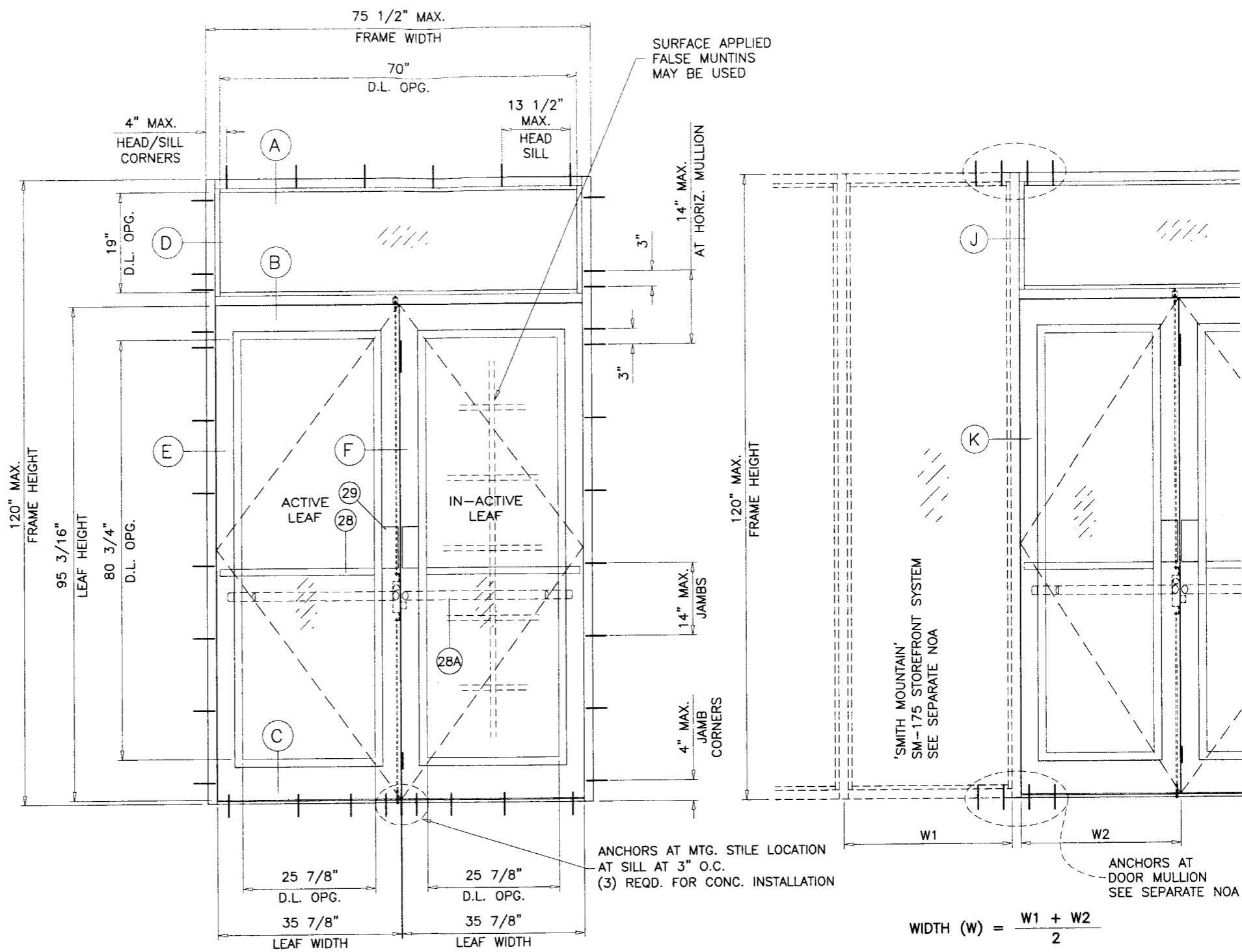
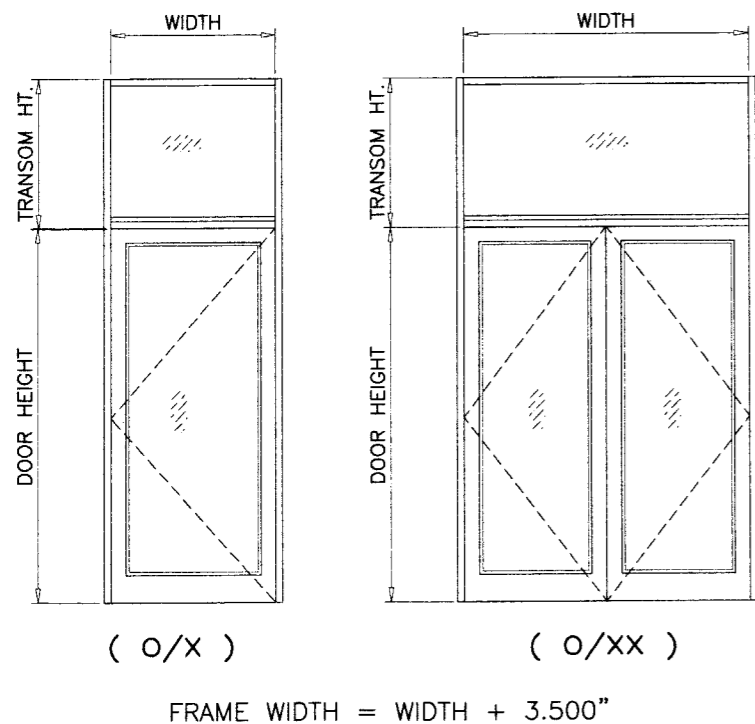
SERIES MK-2 ALUM ENTRANCE DOOR (L.M.I.)  
**SMITH MOUNTAIN IMPACT SYSTEMS**  
 11520 S.W. 120 ST.  
 MIAMI, FL. 33176  
 TEL. (305) 278-2878 FAX. (305) 278-2879

| no | date     | description              | by |
|----|----------|--------------------------|----|
| A  | 10.17.03 | REV. PER BCCO COMMENTS   |    |
| B  | 02.13.04 | NOTES REV. GLASS D ADDED |    |
| C  | 11.25.08 | UPDATED FOR 2007 FBC     |    |
| D  | 12.05.08 | REV. PER BCCO COMMENTS   |    |

date: 07-30-03  
 scale: 1/2" = 1'-0"  
 dr. by: HAMID  
 chk. by:

drawing no.  
**W03-58**  
 sheet 1 of 9

| SINGLE OR DOUBLE ENTRANCE DOORS WITH TRANSOM |                       |                          |                                     |          |
|--|-----------------------|--------------------------|-------------------------------------|----------|
| DESIGN LOAD CAPACITY - PSF                   |                       |                          |                                     |          |
| NOMINAL DIMS.                                |                       |                          | GLASS TYPES<br>'A', 'B', 'C' OR 'D' |          |
| WIDTH<br>INCHES                              | DOOR HEIGHT<br>INCHES | TRANSOM HEIGHT<br>INCHES | EXT. (+)                            | INT. (-) |
| 60   |                       | 24                       | 90.0                                | 90.0     |
|  |                       | 30                       | 90.0                                | 90.0     |
|  |                       | 36                       | 90.0                                | 90.0     |
|  |                       | 40                       | 90.0                                | 90.0     |
| 66   | 80                    | 24                       | 90.0                                | 90.0     |
|  |                       | 30                       | 90.0                                | 90.0     |
|  |                       | 36                       | 90.0                                | 90.0     |
|  |                       | 40                       | 90.0                                | 90.0     |
| 72   |                       | 24                       | 90.0                                | 90.0     |
|  |                       | 30                       | 90.0                                | 90.0     |
|  |                       | 36                       | 88.0                                | 88.0     |
|  |                       | 40                       | 83.7                                | 83.7     |
| 60   |                       | 24                       | 90.0                                | 90.0     |
|  |                       | 30                       | 90.0                                | 90.0     |
|  |                       | 36                       | 90.0                                | 90.0     |
|  |                       | 40                       | 90.0                                | 90.0     |
| 66   | 84                    | 24                       | 90.0                                | 90.0     |
|  |                       | 30                       | 90.0                                | 90.0     |
|  |                       | 36                       | 90.0                                | 90.0     |
|  |                       | 40                       | 90.0                                | 90.0     |
| 72   |                       | 24                       | 90.0                                | 90.0     |
|  |                       | 30                       | 90.0                                | 90.0     |
|  |                       | 36                       | 85.0                                | 85.0     |
|  |                       | 40                       | 80.0                                | 80.0     |
| 60   |                       | 24                       | 90.0                                | 90.0     |
|  |                       | 30                       | 90.0                                | 90.0     |
|  |                       | 36                       | 90.0                                | 90.0     |
|  |                       | 40                       | 90.0                                | 90.0     |
| 66   | 90                    | 24                       | 90.0                                | 90.0     |
|  |                       | 30                       | 90.0                                | 90.0     |
|  |                       | 36                       | 90.0                                | 90.0     |
|  |                       | 40                       | 90.0                                | 90.0     |
| 72   |                       | 24                       | 90.0                                | 90.0     |
|  |                       | 30                       | 87.0                                | 87.0     |
|  |                       | 36                       | 82.0                                | 82.0     |
|  |                       | 40                       | 77.0                                | 77.0     |
| 60   |                       | 24                       | 90.0                                | 90.0     |
|  |                       | 30                       | 90.0                                | 90.0     |
| 66   | 96                    | 24                       | 90.0                                | 90.0     |
|  |                       | 30                       | 88.9                                | 88.9     |



( O/XX )  
TYPICAL ELEVATION

D.L.O. HEIGHT = LEAF HEIGHT - 14.438"  
D.L.O. WIDTH = LEAF WIDTH - 10.000"

NOTE:  
GLASS CAPACITIES ON THIS SHEET ARE  
BASED ON ASTM E1300-02/04 (3 SEC. GUSTS)  
AND FLORIDA BUILDING COMMISSION  
DECLARATORY STATEMENT DCA05-DEC-219

Engr. DR. HAJMAYOUN FAROOQ  
STRUCTURES  
FLA. PE # 18557  
C.A.N. 3638

DEC 09 2008

**PRODUCT RENEWED**  
as complying with the Florida  
Building Code  
Acceptance No. 08-120204  
Expiration Date DEC 04, 2013  
By Ishag I. Houde  
Miami Dade Product Control  
Division

**AL-FAROOQ CORPORATION**  
ENGINEERS & PRODUCT DEVELOPMENT  
1235 S.W. 87 AVE  
MIAMI, FLORIDA 33174  
TEL. (305) 264-8100 FAX. (305) 262-6978  
COMP - ANL \ W03-58SM

---

SERIES MK-2 ALUM ENTRANCE DOOR (L.M.I.)

**SMITH MOUNTAIN IMPACT SYSTEMS**  
11520 S.W. 120 ST.  
MIAMI, FL. 33176  
TEL. (305) 278-2878 FAX. (305) 278-2879

---

| no. | date     | description              | by |
|-----|----------|--------------------------|----|
| A   | 10.17.03 | REV. PER BCCO COMMENTS   |    |
| B   | 02.13.04 | NOTES REV. GLASS D ADDED |    |
| C   | 11.25.08 | UPDATED FOR 2007 FBC     |    |
| D   | 12.05.08 | REV. PER BCCO COMMENTS   |    |

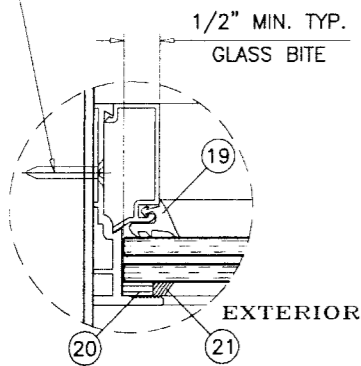
---

date: 07-30-03  
scale: 1/2" = 1'-0"  
dr. by: HAMID  
chk. by:

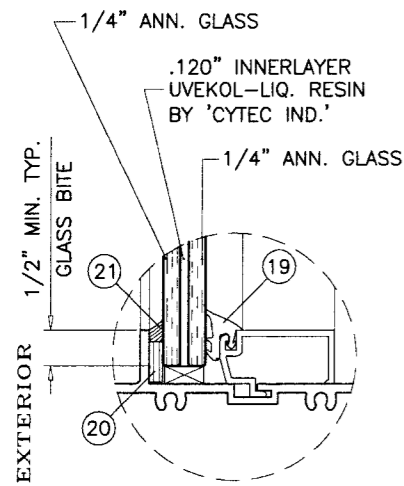
---

drawing no.  
**W03-58**  
sheet 2 of 9

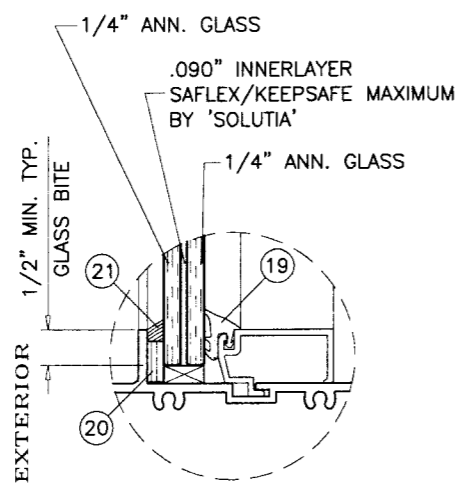
#12-24 X 3/4" FH SCREWS  
AT 4" FROM CORNERS  
AND 12" O.C. MAX. SPACING



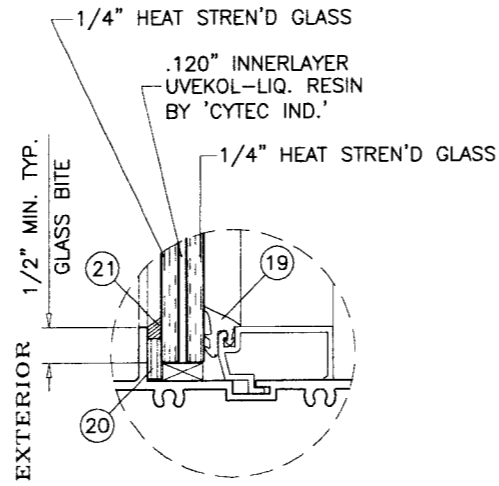
TRANSOM JAMB



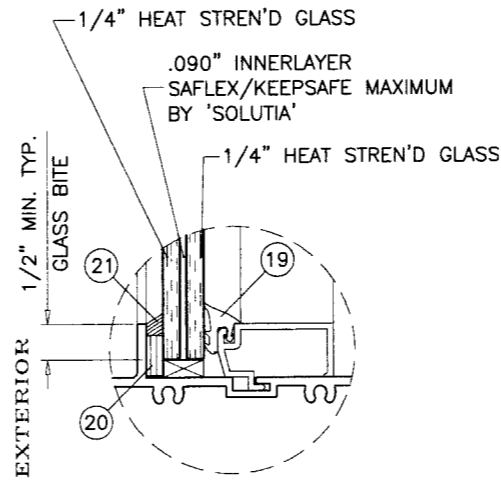
GLASS TYPE 'A'



GLASS TYPE 'B'

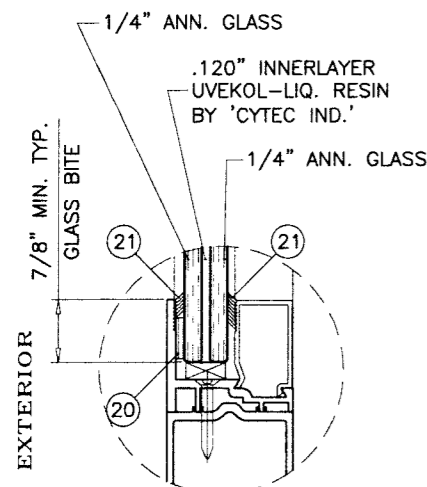


GLASS TYPE 'C'

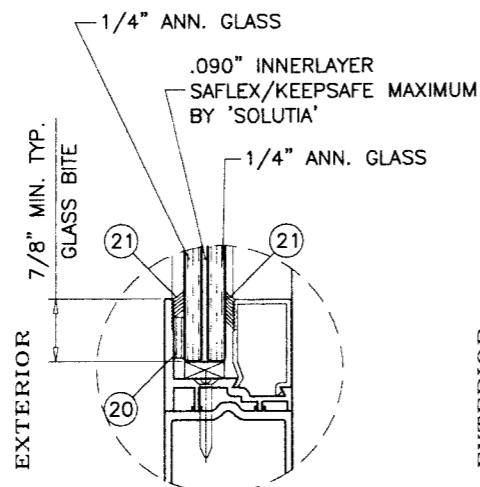


GLASS TYPE 'D'

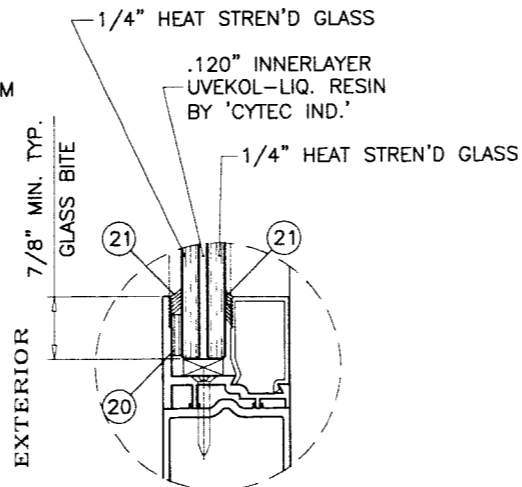
GLAZING DETAILS TRANSOM



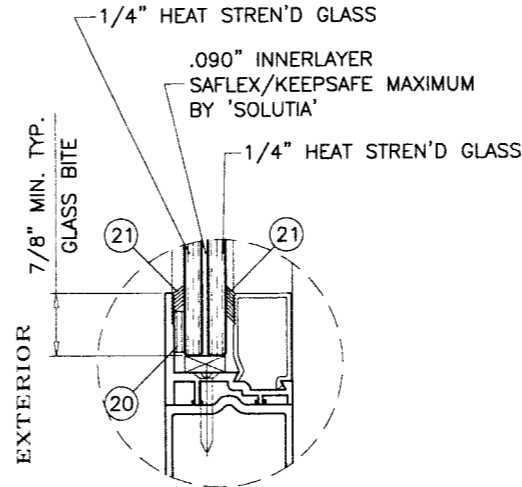
GLASS TYPE 'A'



GLASS TYPE 'B'



GLASS TYPE 'C'



GLASS TYPE 'D'

GLAZING DETAILS DOOR LEAF

**PRODUCT RENEWED**  
as complying with the Florida  
Building Code  
Acceptance No 08-2202-04  
Expiration Date Dec 04, 2013  
By Ishag I. Chande  
Miami Dade Product Control  
Division

Engr: DR. HUMAYOUN FAROOQ  
STRUCTURES  
FLA. PE # 16557  
C.A.N. 3538

DEC 09 2008

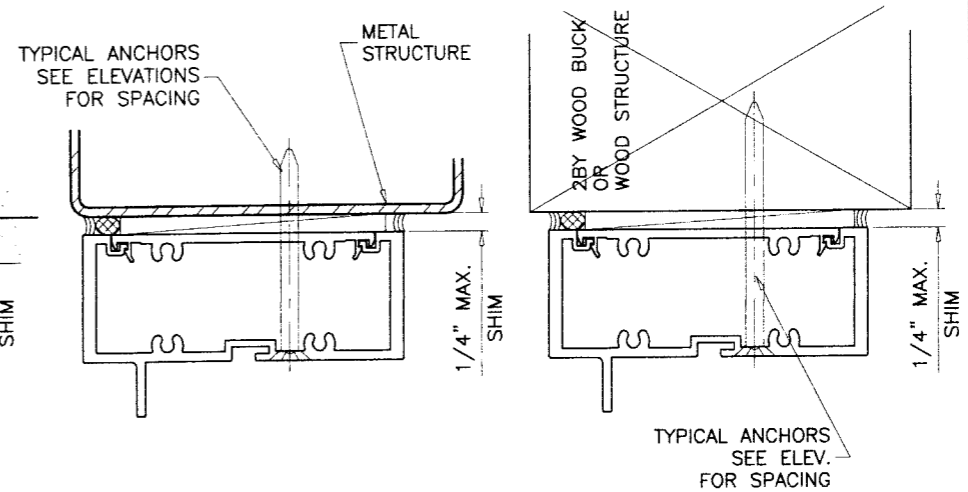
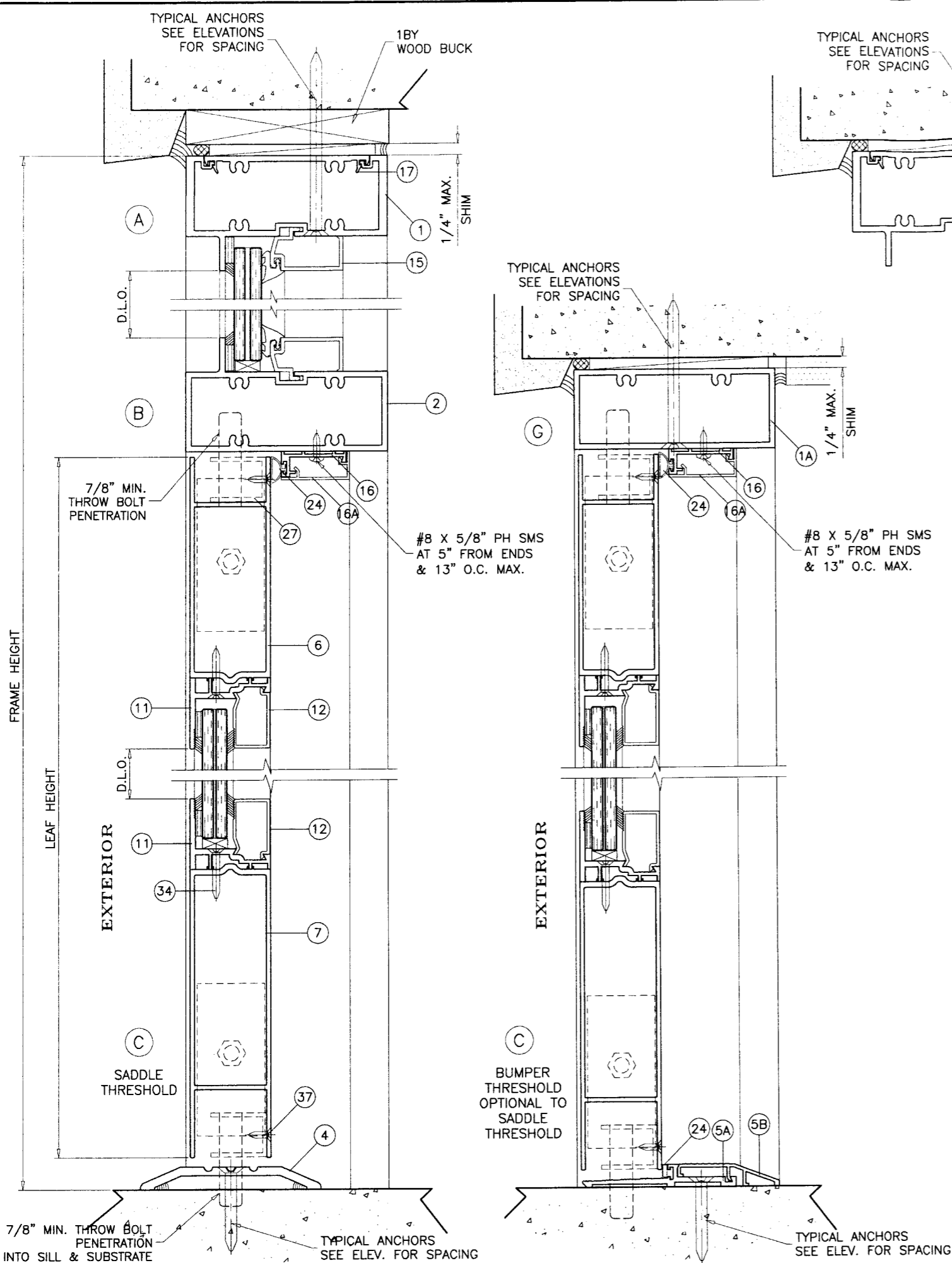
**af c**  
**AL-FAROOQ CORPORATION**  
ENGINEERS & PRODUCT DEVELOPMENT  
1235 S.W. 87 AVE  
MIAMI, FLORIDA 33174  
TEL. (305) 264-8100 FAX. (305) 262-6978  
COMP-ANL\W03-58SM

SERIES MK-2 ALUM ENTRANCE DOOR (L.M.I.)  
**SMITH MOUNTAIN IMPACT SYSTEMS**  
11520 S.W. 120 ST.  
MIAMI, FL. 33176  
TEL. (305) 278-2878 FAX. (305) 278-2879

| no | date     | by | description            |
|----|----------|----|------------------------|
| A  | 10.17.03 |    | NO CHANGE THIS SHEET   |
| B  | 02.13.04 |    | GLASS D ADDED          |
| C  | 11.25.08 |    | UPDATED FOR 2007 FBC   |
| D  | 12.05.08 |    | REV. PER BCCO COMMENTS |

date: 07-30-03  
scale: 3/8" = 1"  
dr. by: HAMID  
chk. by:

drawing no.  
**W03-58**  
sheet 3 of 9



WOOD BUCKS AND METAL STRUCTURE NOT BY SMITH MOUNTAIN MUST SUSTAIN LOADS IMPOSED BY GLAZING SYSTEM AND TRANSFER THEM TO THE BUILDING STRUCTURE.

**TYPICAL ANCHORS:** SEE ELEV. FOR SPACING  
**1/4" DIA. ULTRACON BY 'ELCO'** (Fu=177 KSI, Fy=155 KSI)  
 INTO 2BY WOOD BUCKS OR WOOD STRUCTURES  
 1-1/2" MIN. PENETRATION INTO WOOD  
 THRU 1BY BUCKS INTO CONC. OR MASONRY  
 1-1/4" MIN. EMBED INTO CONC. OR MASONRY  
 DIRECTLY INTO CONC. OR MASONRY  
 1-3/8" MIN. EMBED INTO CONC. OR MASONRY  
**1/4" DIA. TEKS/DRIL-FLEX SELF DRILLING SCREWS** (GRADE 2 CRS)  
 INTO METAL STRUCTURES  
 STEEL : 1/8" THK. MIN. (Fy = 36 KSI MIN.)  
 ALUMINUM : 1/8" THK. MIN. (6063-T5 MIN.)  
 (STEEL IN CONTACT WITH ALUMINUM TO BE PLATED OR PAINTED)

**TYPICAL EDGE DISTANCE**  
 INTO CONCRETE AND MASONRY = 2-1/2" MIN.  
 INTO WOOD STRUCTURE = 1" MIN.  
 INTO METAL STRUCTURE = 3/4" MIN.

CONCRETE f'c = 3000 PSI MIN.  
 MASONRY f'm = 1924 PSI MIN.

**SEALANTS:**  
 ALL FRAME AND LEAF CORNERS AND INSTALLATION SCREWS  
 SEALED WITH SILICONE.

Engr. DR. HUMAYUN FAROOQ  
 STRUCTURES  
 FLA. PE # 16557  
 C.A.N. 3538  
 DEC 09 2008

**PRODUCT RENEWED**  
 as complying with the Florida  
 Building Code  
 Acceptance No. 08-1702.04  
 Expiration Date DEC 04, 2013  
 By Isahag I. Khan  
 Miami Dade Product Control  
 Division

**AL-FAROOQ CORPORATION**  
 ENGINEERS & PRODUCT DEVELOPMENT  
 1235 S.W. 87 AVE  
 MIAMI, FLORIDA 33174  
 TEL. (305) 264-8100 FAX. (305) 262-6978  
 COMP-ANL\W03-58SM

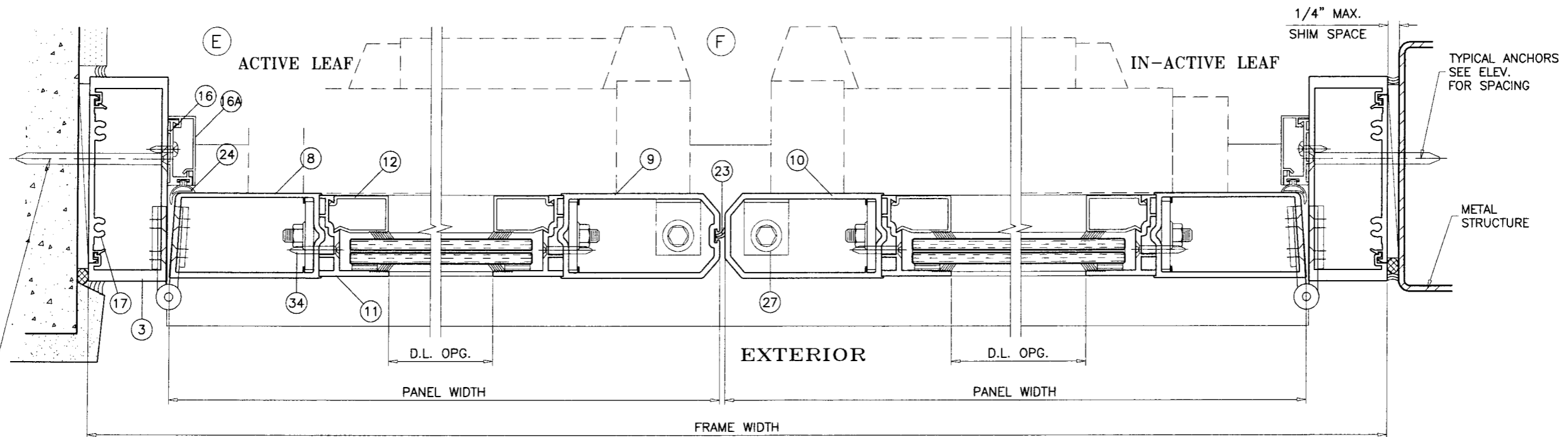
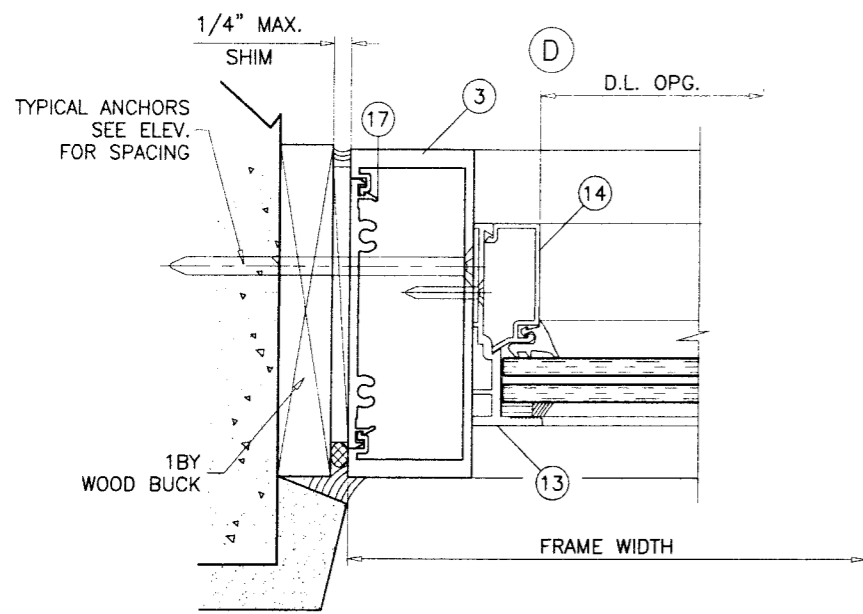
SERIES MK-2 ALUM ENTRANCE DOOR (L.M.I.)  
**SMITH MOUNTAIN IMPACT SYSTEMS**  
 11520 S.W. 120 ST.  
 MIAMI, FL. 33176  
 TEL. (305) 278-2878 FAX. (305) 278-2879

| no | date     | description                |
|----|----------|----------------------------|
| A  | 10.17.03 | NO CHANGE THIS SHEET       |
| B  | 02.13.04 | ALT. STOP & THRESHOLD ADD. |
| C  | 11.25.08 | UPDATED FOR 2007 FBC       |
| D  | 12.05.08 | REV. PER BCCO COMMENTS     |

revisions: by

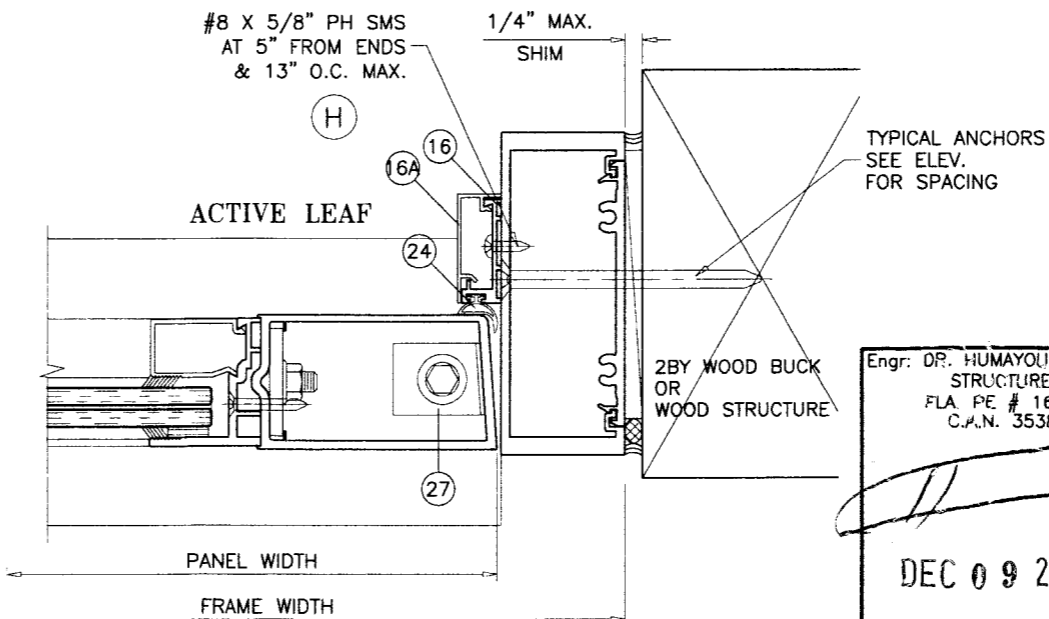
date: 07-30-03  
 scale: 3/8" = 1"  
 dr. by: HAMID  
 chk. by:

drawing no. **W03-58**  
 sheet 4 of 9



TYPICAL ANCHORS SEE ELEV. FOR SPACING

#8 X 5/8" PH SMS AT 5" FROM ENDS & 13" O.C. MAX.



**PRODUCT RENEWED**  
as complying with the Florida Building Code  
Acceptance No. 08-1202-04  
Expiration Date 08-04-2013

By Ishag I. Chaudhry  
Miami Dade Product Control Division

Engr: DR. HUMAYOON FAROOQ  
STRUCTURES  
FLA. PE. # 16557  
C.A.N. 3538

DEC 09 2008

**af c**  
**AL-FAROOQ CORPORATION**  
ENGINEERS & PRODUCT DEVELOPMENT  
1235 S.W. 87 AVE  
MIAMI, FLORIDA 33174  
TEL. (305) 264-8100 FAX. (305) 262-6978  
COMP-ANL\W03-58SM

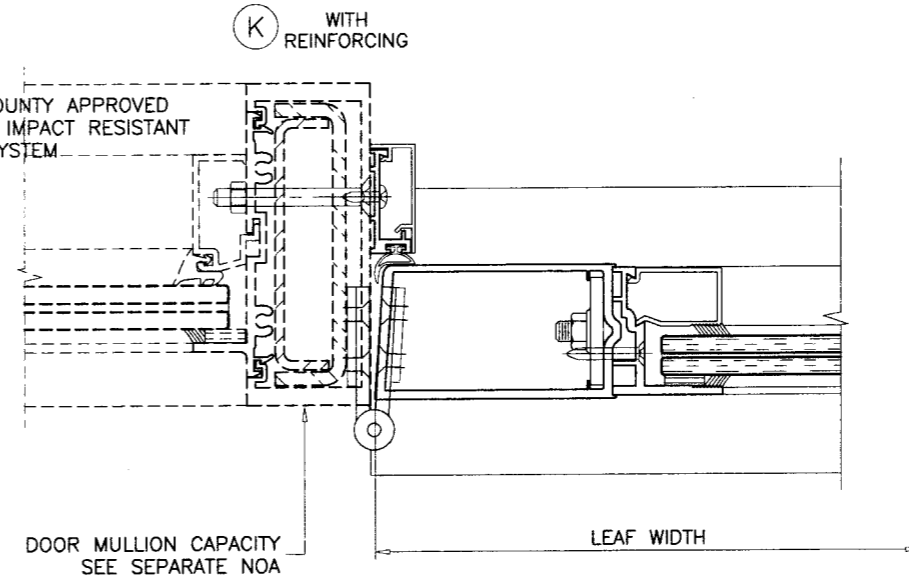
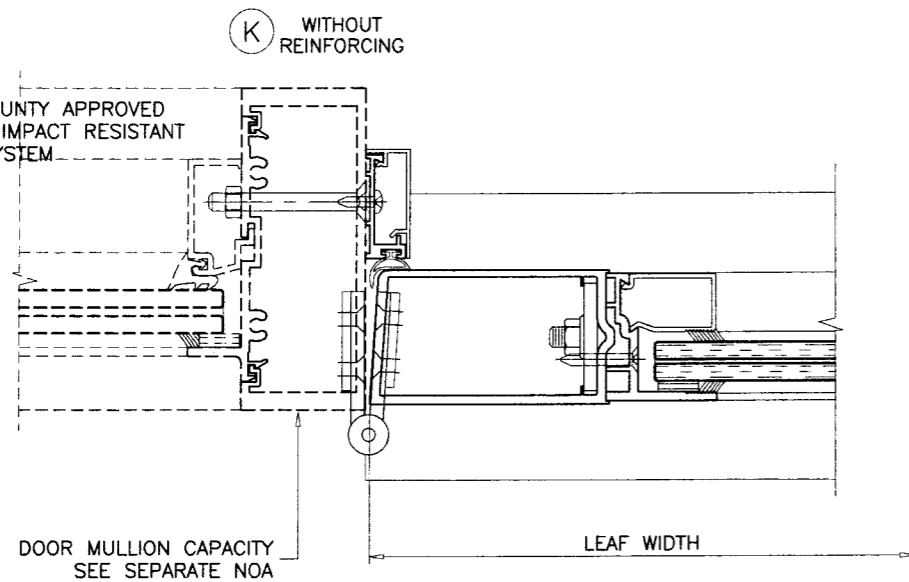
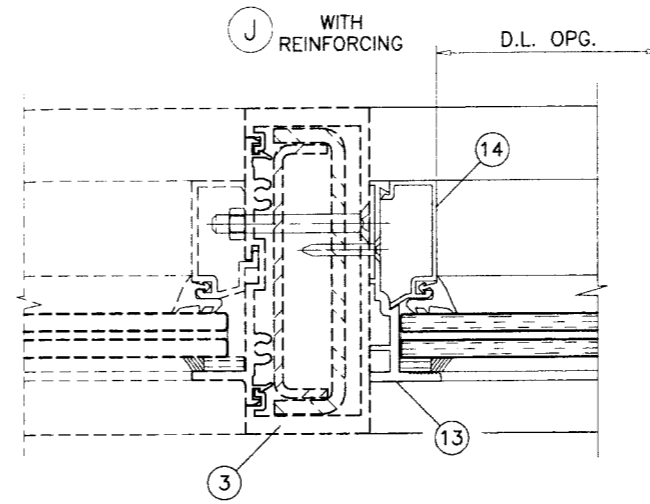
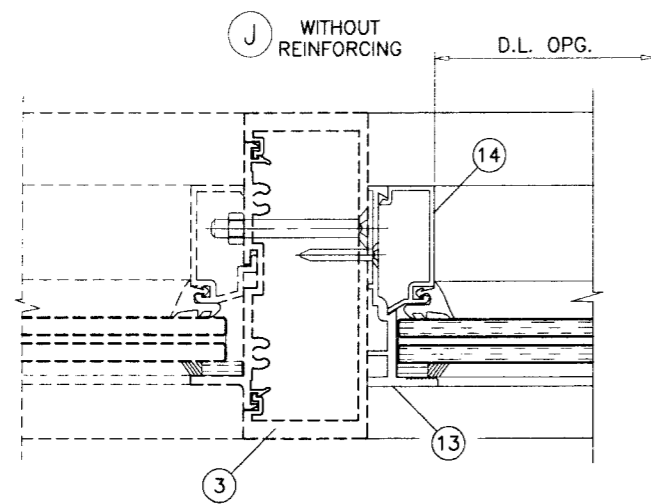
SERIES MK-2 ALUM ENTRANCE DOOR (L.M.I.)  
**SMITH MOUNTAIN IMPACT SYSTEMS**  
11520 S.W. 120 ST.  
MIAMI, FL. 33176  
TEL. (305) 278-2878 FAX. (305) 278-2879

| revisions: | no | date     | by | description               |
|------------|----|----------|----|---------------------------|
|            | A  | 10.17.03 |    | PANIC DEVICE OPTION ADDED |
|            | C  | 11.25.08 |    | UPDATED FOR 2007 FBC      |
|            | D  | 12.05.08 |    | REV. PER BCCO COMMENTS    |

date: 07-30-03  
scale: 3/8" = 1"  
dr. by: HAMID  
chk. by:

drawing no.  
**W03-58**

sheet 5 of 9



SEE SEPARATE NOA FOR DESIGN LOAD CAPACITY OF STOREFRONT, DOOR MULLION AND DOOR MULLION ANCHORS. LOWER VALUES FROM STOREFRONT NOA OR DOOR CAPACITY CHARTS WILL APPLY TO ENTIRE SYSTEM.

Engr: DR. HUMAYOUN FAROOQ  
STRUCTURES  
FLA. PE # 16557  
C.A.N. 3538

DEC 09 2008

**PRODUCT RENEWED**  
as complying with the Florida  
Building Code  
Acceptance No 05-1202-04  
Expiration Date DEC 04, 2013  
By Sheng L. Chou  
Miami Dade Product Control  
Division

revisions:

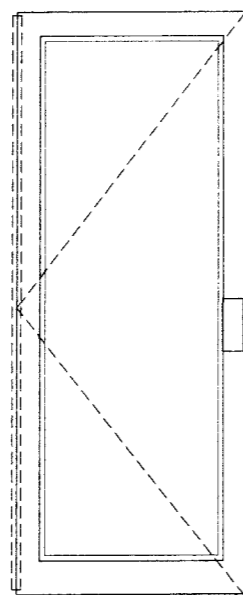
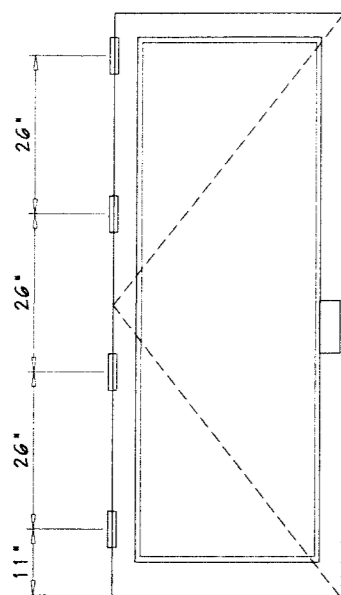
| no | date     | description               |
|----|----------|---------------------------|
| B  | 02.13.04 | DOOR MULLION DETAIL ADDED |
| C  | 11.25.08 | UPDATED FOR 2007 FBC      |
| D  | 12.05.08 | REV. PER BCCO COMMENTS    |

|                |                  |
|----------------|------------------|
| date: 07-30-03 | scale: 3/8" = 1" |
| dr. by: HAMID  | chk. by:         |

drawing no.  
**W03-58**  
sheet 6 of 9

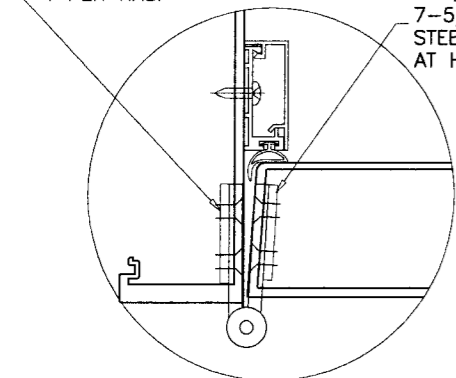
**AL-FAROOQ CORPORATION**  
ENGINEERS & PRODUCT DEVELOPMENT  
1235 S.W. 87 AVE  
MIAMI, FLORIDA 33174  
TEL. (305) 264-8100 FAX. (305) 262-6978  
COMP-ANL\W03-58SM

SERIES MK-2 ALUM ENTRANCE DOOR (L.M.I.)  
**SMITH MOUNTAIN IMPACT SYSTEMS**  
11520 S.W. 120 ST.  
MIAMI, FL. 33176  
TEL. (305) 278-2878 FAX. (305) 278-2879



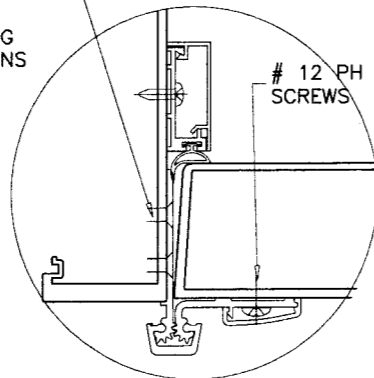
# 12 FH SELF TAPPING SCREWS  
4 PER HASP

1-1/2" X 1/4" THK.  
7-5/16" LONG  
STEEL REINFORCING  
AT HINGE LOCATIONS



# 12 FH SELF TAPPING SCREWS

# 12 PH SELF TAPPING SCREWS



**HINGE OPTIONS:**

**4-1/2" BRASS BUTT HINGES**

HAGER # BB-1199

**CONCEALED ALUM ROTON HINGE**

CONTINUOUS ALUMINUM  
ROTON HINGE HAGER # 780-112  
FASTENED TO FRAME JAMB AND TO JAMB STILE  
WITH (27) TOTAL SCREWS ON 8/0 DOORS  
WITH (25) TOTAL SCREWS ON 6/8 & 7/0 DOORS

**LOCK OPTIONS:  
STANDARD HARDWARE**

**SINGLE LEAF DOORS:**

ALL SINGLE LEAF DOORS TO BE FITTED WITH  
3 POINT LOCK

**DOUBLE LEAF DOORS:**

**ACTIVE LEAF:**

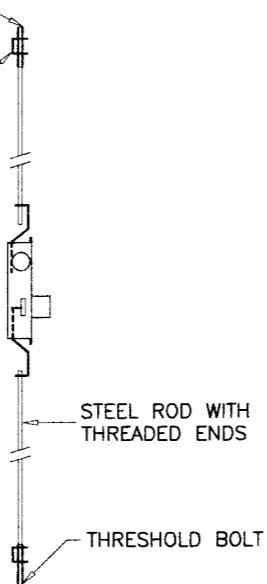
THREE POINT LOCK SYSTEM WITH 8 PLY HOOK LOCK  
BOLT ADAMS RITE NO. 4015 & 4016, KEY OPERATED ON  
EXTERIOR AND THUMB-TURN ON INTERIOR, LOCATED AT  
34" FROM BOTTOM OF PANEL

**INACTIVE LEAF:**

TWO POINT LOCK SYSTEM ADAMS RITE NO. 1880  
WITH THUMB TURN ON THE INTERIOR, LOCATED AT  
34" FROM BOTTOM OF PANEL

3/8" HEX STEEL TIP

BOLT GUIDE



**LOCK OPTIONS:  
PANIC EXIT DEVICES**

**OPTION #1:**

**ACTIVE/INACTIVE LEAF**

VON DUPRIN SERIES 33 CONCEALED VERTICAL ROD  
PANIC EXIT DEVICE  
WITH 5/8" THROW LATCH BOLT PENETRATING 3/4" AT HEAD & SILL

**OPTION #2:**

**ACTIVE/INACTIVE LEAF**

REGENT SERIES 5770 CONCEALED VERTICAL ROD  
PANIC EXIT DEVICE  
WITH 5/8" THROW LATCH BOLT PENETRATING 3/4" AT HEAD & SILL

| ITEM # | PART #       | REQD.    | DESCRIPTION                             | MATERIAL  | MANF./SUPPLIER/REMARKS     |
|--------|--------------|----------|---|-----------|----------------------------|
| 1      | 5806A        | 1        | FRAME HEAD                              | 6063-T6   | -                          |
| 1A     | 6421         | 1        | ALT. FRAME HEAD                         | 6063-T6   | -                          |
| 2      | 5710         | AS REQD. | FRAME TRANSOM                           | 6063-T6   | -                          |
| 3      | 6007         | 2        | FRAME JAMB                              | 6063-T6   | -                          |
| 4      | 24703        | 1        | SADDLE THRESHOLD                        | 6063-T5   | -                          |
| 5A     | SMM-023      | 1        | BUMPER THRESHOLD                        | 6063-T5   | -                          |
| 5B     | SMM-024      | 1        | ADA THRESHOLD COVER                     | 6063-T5   | -                          |
| 6      | 5984         | 1/ LEAF  | TOP RAIL                                | 6063-T5   | -                          |
| 7      | 5987         | 1/ LEAF  | BOTTOM RAIL                             | 6063-T5   | -                          |
| 8      | 5986         | 1/ LEAF  | HINGE STILE                             | 6063-T5   | -                          |
| 9      | 5983         | 1        | LOCK STILE (ACTIVE)                     | 6063-T5   | -                          |
| 10     | -            | 1        | LOCK STILE (IN-ACTIVE)                  | 6063-T5   | -                          |
| 11     | 5981         | 4/ LEAF  | EXTERIOR GLASS STOP (DOOR)              | 6063-T5   | -                          |
| 12     | 5982         | 4/ LEAF  | INTERIOR GLASS STOP (DOOR)              | 6063-T5   | -                          |
| 13     | K2-11        | -        | EXTERIOR GLASS STOP (TRANSOM JAMB)      | -         | -                          |
| 14     | K2-10        | -        | INTERIOR GLASS STOP (TRANSOM JAMB)      | -         | -                          |
| 15     | 5712         | 2/ LITE  | GLASS STOP (TRANSOM HEAD/SILL)          | -         | -                          |
| 16     | SMM-002      | 3/ DOOR  | DOOR STOP                               | 6063-T5   | -                          |
| 16A    | SMM-001      | 3/ DOOR  | DOOR STOP COVER                         | 6063-T5   | -                          |
| 17     | K2-15        | OPTIONAL | FLAT FILLER                             | -         | -                          |
| 19     | H-63         | AS REQD. | WEDGE-IN GASKET                         | NEOPRENE  | UNIVERSAL RUBBER CO.       |
| 20     | V2104        | AS REQD. | GLAZING TAPE (1/2" X 1/8")              | FOAM      | NORTON                     |
| 21     | 895          | -        | GLAZING COMPOUND                        | SILICONE  | PECORA                     |
| 23     | PB8300-8349  | AS REQD. | PILE WITH PLASTIC FIN W'STRIPPING       | -         | -                          |
| 24     | -            | AS REQD. | BULB W'STRIPPING                        | VINYL     | -                          |
| 26     | -            | 2/ LEAF  | 3/8" THREADED ROD WITH NUT              | STEEL     | -                          |
| 27     | -            | 2/ LEAF  | FLUSH BOLT GUIDE                        | ST. STEEL | -                          |
| 28     | -            | AS REQD. | PUSH BAR                                | -         | -                          |
| 28A    | -            | AS REQD. | EXIT DEVICE                             | -         | VON DUPRIN OR REGENT       |
| 29     | -            | AS REQD. | PULL HANDLE                             | -         | -                          |
| 30     | -            | 2        | THRESHOLD CLIP                          | ALUMINUM  | 2" X 2" X 1/8" X 3/4" LONG |
| 31     | -            | 4/ LEAF  | SUPPORT PLATE (1-1/2" X 3-3/8" X 3/16") | ALUMINUM  | -                          |
| 33     | #12 X 1-1/2" | AS REQD. | FRAME ASSEMBLY SCREWS                   | -         | HEX H SELF DRILLING        |
| 34     | #10 X 1-1/2" | AS REQD. | GLASS STOP SCREWS                       | -         | FH SMS                     |
| 35     | #12 X 3/4"   | AS REQD. | THRESHOLD CLIP SCREWS                   | -         | FH SELF DRILLING           |
| 37     | #10 X 5/16"  | 2/ GUIDE | GUIDE INSTALLATION SCREWS               | -         | FH MS                      |

Engr: DR. HUMAYOUN FAROOQ  
STRUCTURES  
FLA. PE # 16557  
C.A.N. 3538

DEC 09 2008

**PRODUCT RENEWED**  
as complying with the Florida  
Building Code  
Acceptance No 08-1202-64  
Expiration Date 06-04-2013  
By Ishag I. Chande  
Miami Dade Product Control  
Division

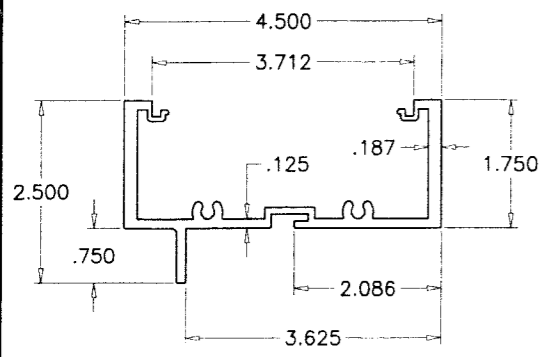
**AL-FAROOQ CORPORATION**  
ENGINEERS & PRODUCT DEVELOPMENT  
1235 S.W. 87 AVE  
MIAMI, FLORIDA 33174  
TEL. (305) 264-8100 FAX. (305) 262-6978  
COMP-ANL\W03-58SM

SERIES MK-2 ALUM ENTRANCE DOOR (L.M.I.)  
**SMITH MOUNTAIN IMPACT SYSTEMS**  
11520 S.W. 120 ST.  
MIAMI, FL. 33176  
TEL. (305) 278-2878 FAX. (305) 278-2879

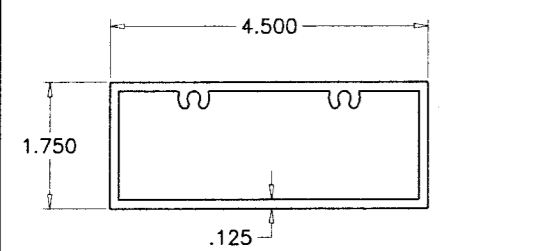
| no | date     | description             | by |
|----|----------|-------------------------|----|
| A  | 10.17.03 | NO CHANGE THIS SHEET    |    |
| B  | 10.13.04 | PANIC LOCK OPTION ADDED |    |
| C  | 11.25.08 | UPDATED FOR 2007 FBC    |    |
| D  | 12.05.08 | REV. PER BCCO COMMENTS  |    |

date: 07-30-03  
scale: 3/8" = 1"  
dr. by: HAMID  
chk. by:

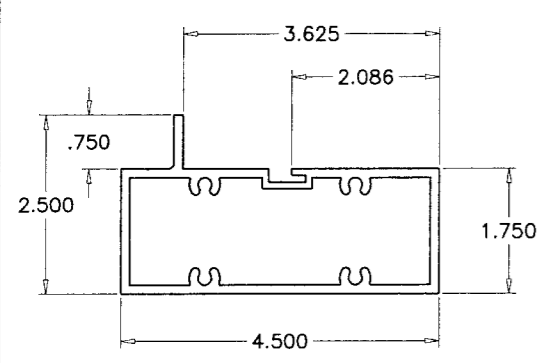
drawing no.  
**W03-58**  
sheet 7 of 9



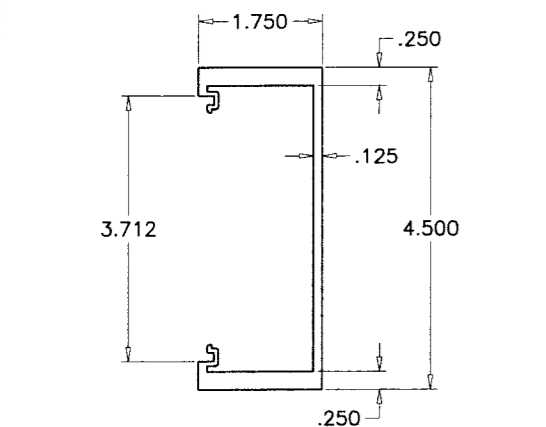
1 FRAME HEAD



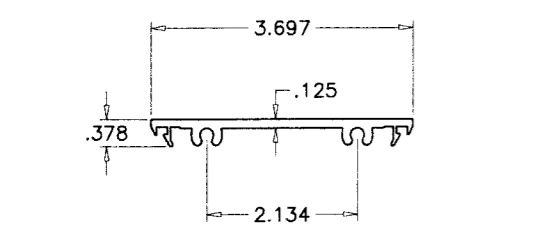
1A ALT. FRAME HEAD



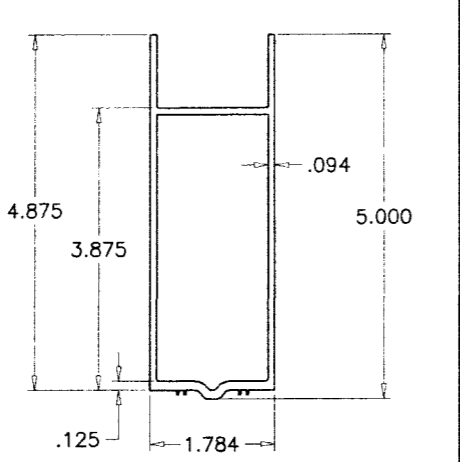
2 FRAME TRANSOM



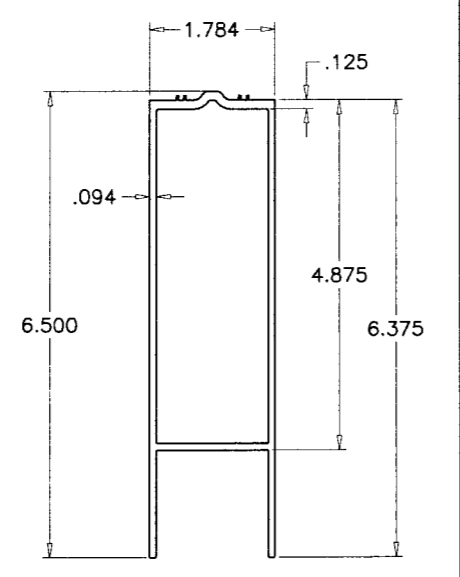
3 FRAME JAMB



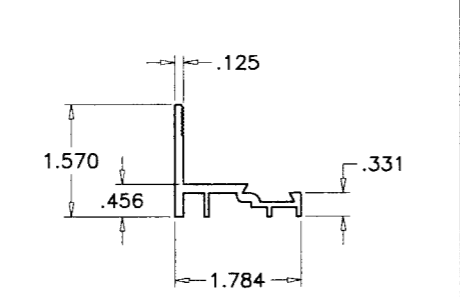
17 FLAT FILLER



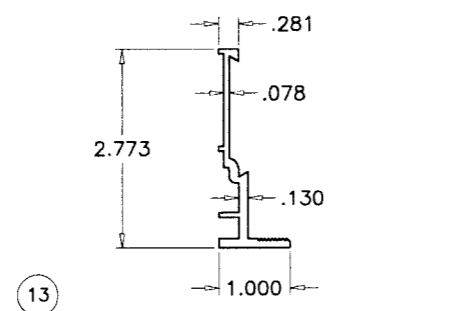
6 TOP RAIL



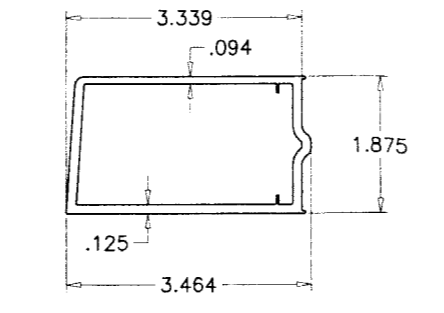
7 BOTTOM RAIL



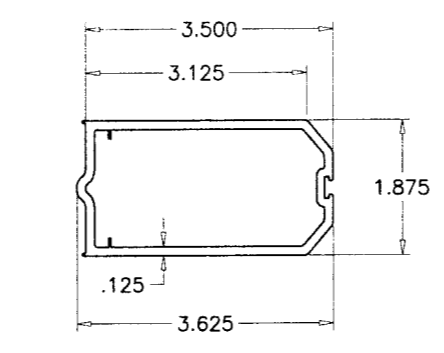
11 EXTERIOR GLASS STOP (DOOR)



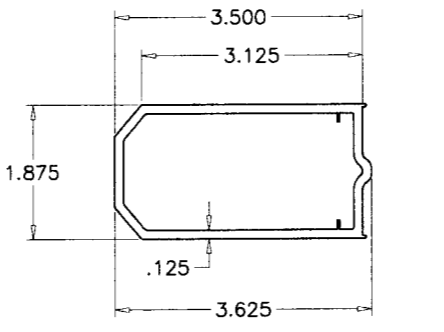
13 EXTERIOR GLASS STOP (TRANSOM)



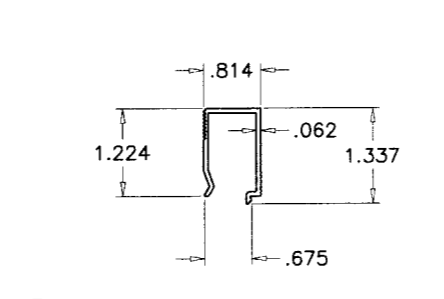
8 HINGE STILE



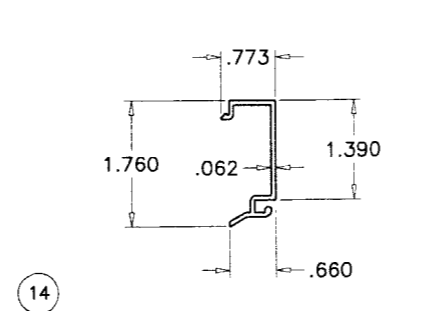
9 LOCK STILE (ACTIVE)



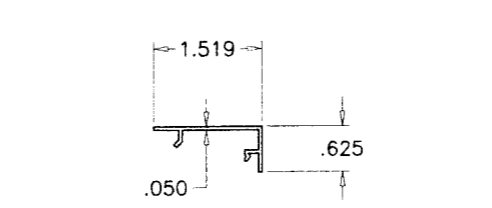
10 LOCK STILE (IN-ACTIVE)



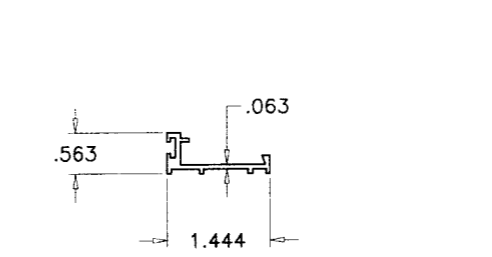
12 INTERIOR GLASS STOP (DOOR)



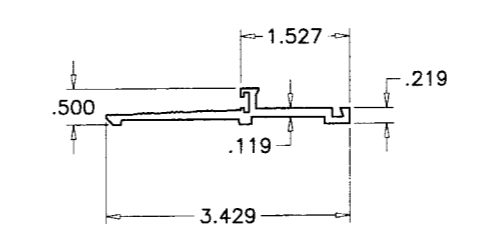
14 INTERIOR GLASS STOP (TRANSOM)



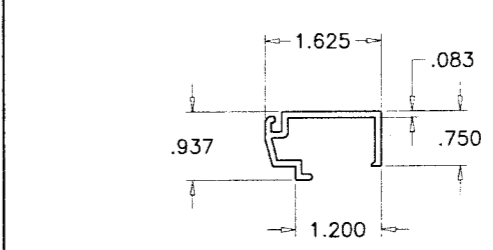
16A DOOR STOP COVER



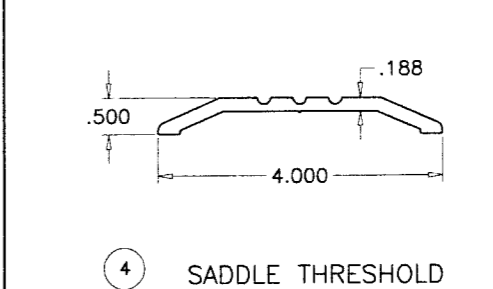
16 DOOR STOP



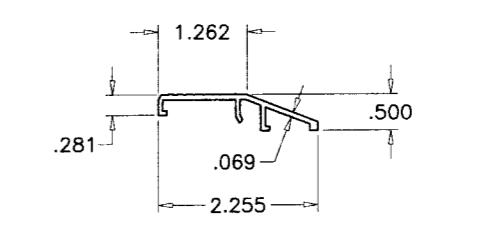
5A BUMPER THRESHOLD



15 GLASS STOP (TRANSOM HEAD/SILL)



4 SADDLE THRESHOLD



5B ADA THRESHOLD COVER

**PRODUCT RENEWED**  
 as complying with the Florida  
 Building Code  
 Acceptance No. 05-1202-04  
 Expiration Date DEC 04, 2013  
 By: Shag I. Chant  
 Miami Dade Product Control  
 Division

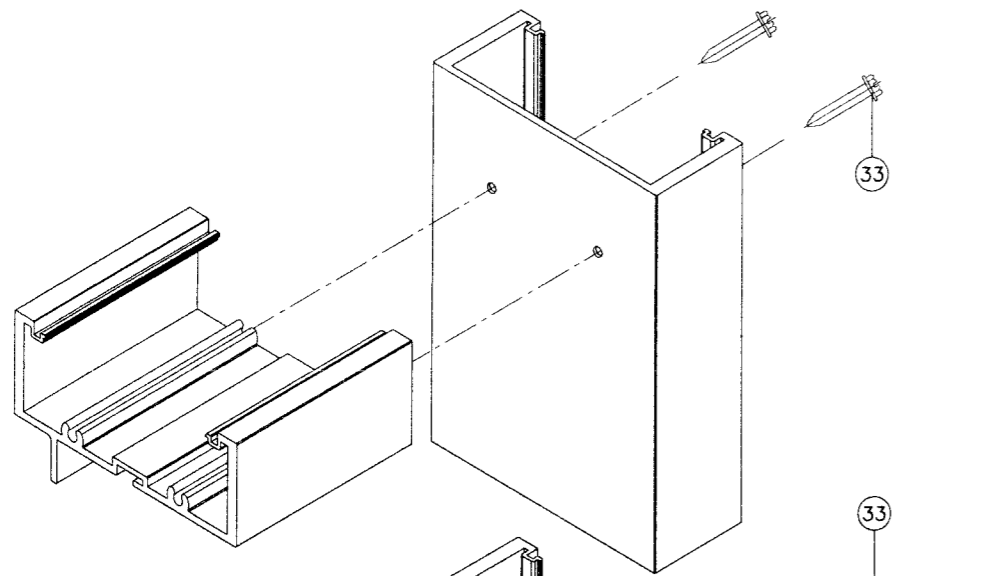
Engr: DR. HUMAYOUN FAROOQ  
 STRUCTURES  
 FLA. PE # 16557  
 C.A.N. 3538  
 DEC 09 2008

**af c**  
**AL-FAROOQ CORPORATION**  
 ENGINEERS & PRODUCT DEVELOPMENT  
 1235 S.W. 87 AVE  
 MIAMI, FLORIDA 33174  
 TEL. (305) 264-8100 FAX. (305) 262-6978  
 COMP-ANL\W03-58SM

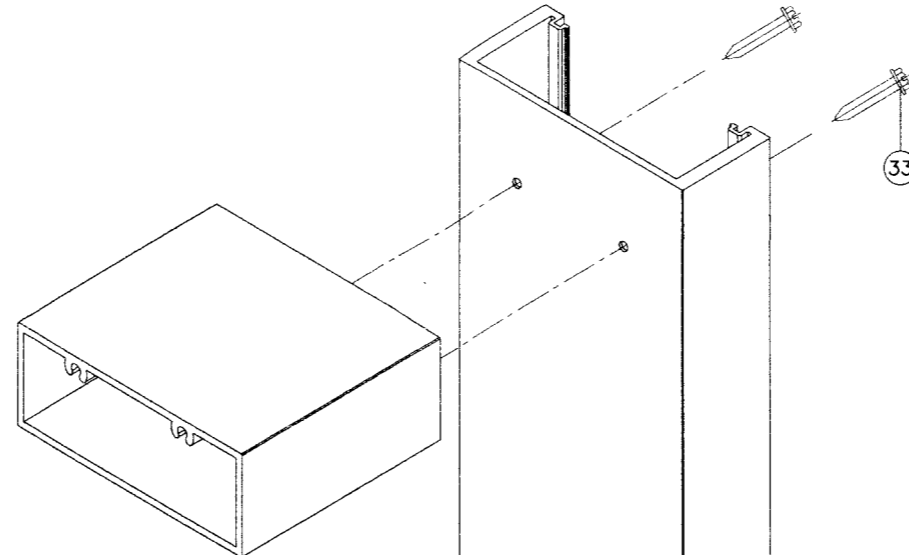
SERIES MK-2 ALUM ENTRANCE DOOR (L.M.I.)  
**SMITH MOUNTAIN IMPACT SYSTEMS**  
 11520 S.W. 120 ST.  
 MIAMI, FL. 33176  
 TEL. (305) 278-2878 FAX. (305) 278-2879

| no | date     | by | description                |
|----|----------|----|----------------------------|
| A  | 10.17.03 |    | NO CHANGE THIS SHEET       |
| B  | 02.13.04 |    | ALT. STOP & THRESHOLD ADD. |
| C  | 11.25.08 |    | UPDATED FOR 2007 FBC       |
| D  | 12.05.08 |    | REV. PER BCCO COMMENTS     |

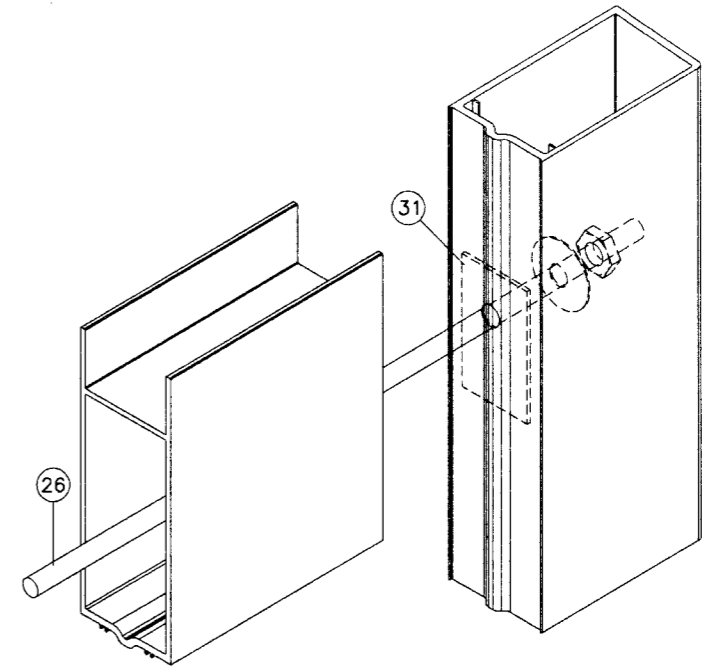
date: 07-30-03  
 scale: 3/8" = 1"  
 dr. by: HAM/D  
 ch. by:  
 drawing no.  
**W03-58**  
 sheet 8 of 9



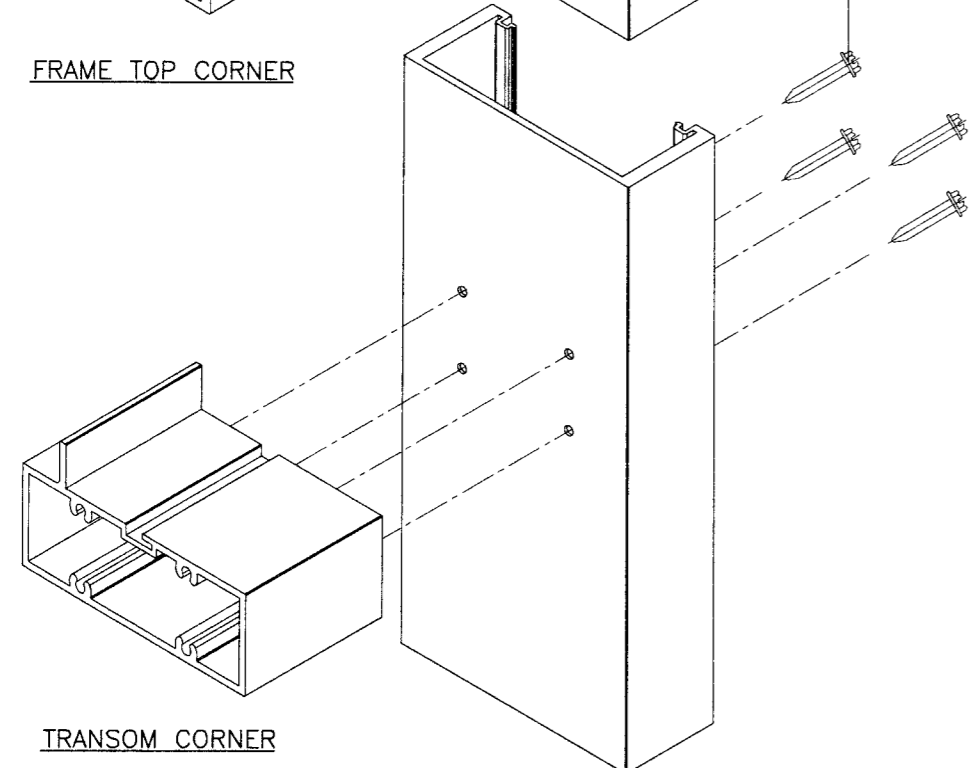
FRAME TOP CORNER



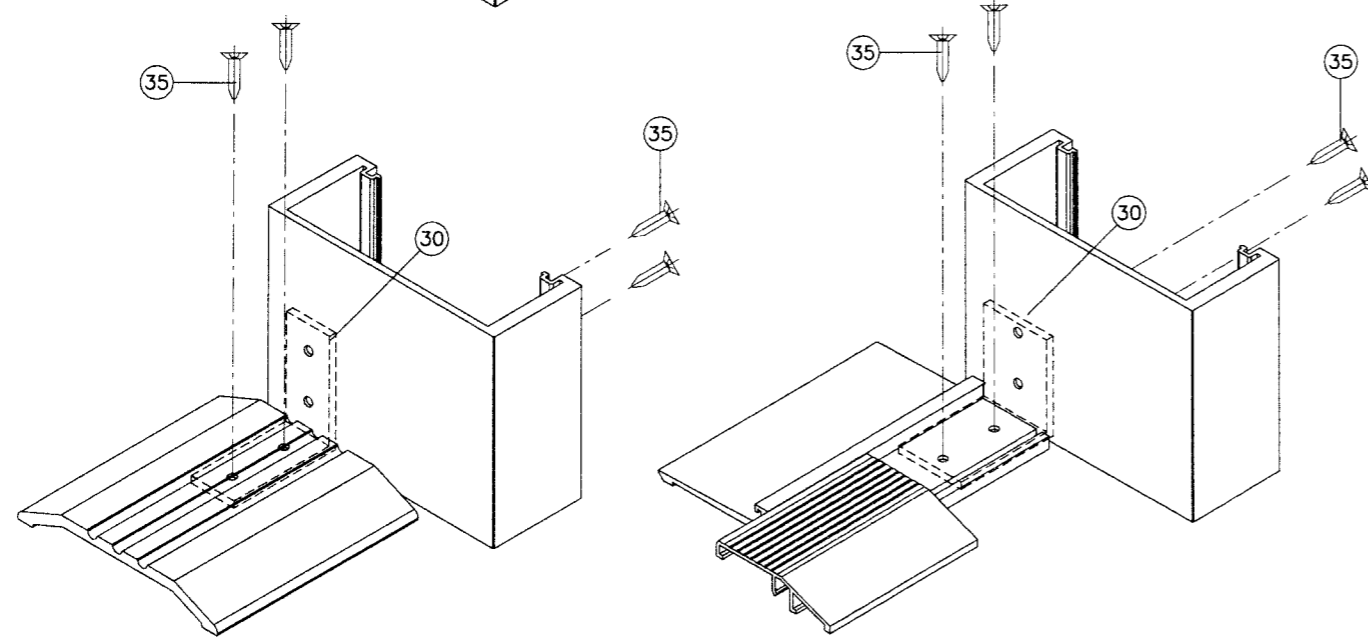
DOOR CORNER



DOOR LEAF CORNER



TRANSOM CORNER



FRAME BOTTOM CORNER

**PRODUCT RENEWED**  
 as complying with the Florida  
 Building Code  
 Acceptance No. *08-1207-04*  
 Expiration Date *Dec 04, 2013*  
 By *Iskhan L. Chandy*  
 Miami Dade Product Control  
 Division

Engr. DR. HUMAYDUN FAROOQ  
 STRUCTURE  
 FLA. PE # 16557  
 C.A.N. 5538  
  
 DEC 09 2008



**AL-FAROOQ CORPORATION**  
 ENGINEERS & PRODUCT DEVELOPMENT  
 1235 S.W. 87 AVE  
 MIAMI, FLORIDA 33174  
 TEL. (305) 264-8100 FAX. (305) 262-6978  
 COMP-ANL\W03-58SM

SERIES MK-2 ALUM ENTRANCE DOOR (L.M.I.)  
**SMITH MOUNTAIN IMPACT SYSTEMS**  
 11520 S.W. 120 ST.  
 MIAMI, FL. 33176  
 TEL. (305) 278-2878 FAX. (305) 278-2879

| no | date     | by | description              |
|----|----------|----|--------------------------|
| A  | 10.17.03 |    | NO CHANGE THIS SHEET     |
| B  | 02.13.04 |    | DOOR CORNER DETAIL ADDED |
| C  | 11.25.08 |    | UPDATED FOR 2007 FBC     |
| D  | 12.05.08 |    | REV. PER BCCO COMMENTS   |

date: 07-30-03  
 scale: 3/8" = 1"  
 dr. by: HAMID  
 chk. by:

drawing no.  
**W03-58**

sheet 9 of 9